

designed and manufactured by Armstrong Magnetics Inc.

Rated Lifting Capacities of **330, 660, 1320, 2200 and 4400 lbs**



Introductions



NL-B series permanent lifting magnets using high grade Neodymium magnets are designed and made for holding, carrying and releasing flat or round ferrous parts without any electrical power supply. They attract ferrous parts by turning its handle counterclockwise to “On” position and release the parts at “Off” position. For more safety, a special device (Slide Pin) locks the handle at “On” position and keeps the lifter having lift power until operator unlocks it.

General Features:

- 3 times safety coefficient
- Safe and easy operation
- Compact yet powerful
- Constant and stable magnetic power

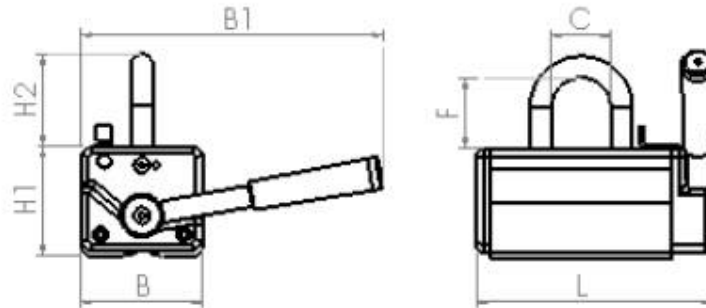
Key Features:

- **SafeLift™** Pretest Mechanism to make sure a lifting process safe.
In some complicated situations it is difficult to estimate the actual lifting value with enough safety coefficient and consequently you are not sure if the lifting operation is safe or not. Then you can use the **SafeLift™** Pretest Mechanism to test the safety of the lifting process which you are going to operate.
- Thicker front Aluminum cover to protect rotor shaft head. .
- Main body is Nickel plated to make the body anti-rust and pole face hardened.

Applications:

Armstrong LiftMag™ is the professional solution to high efficient handling ferrous materials indoor, such as flat or round steel work piece, forgings, dies and similar parts. They are widely used in machine shops, warehouses, production lines and shipping areas for fast loading, and unloading heavy steel items.

Dimensions and Weights:



P/N	Model	Dimensions (in/mm)					Inner Size of the Loop (in/mm)		Weight (lb/kg)
		L	B	H1	H2	B1	F	C	
81503	NL-330B	5.2/130	2.4/60	2.4/60	2.2/56	6.5/165	1.7/44	1.5/38	5.5/2.5
81506	NL-660B	5.9/150	3.5/90	3.1/80	2.5/64	9.1/230	1.89/48	1.7/43	19/8.5
81513	NL-1320B	8.7/222	4.4/112	3.9/100	3.180	10.5/266	2.4/60	2/50	37/17
81522	NL-2200B	11.2/285	5.7/144	5/127	3.4/86	12.4/315	2.56/65	2.4/60	73/33
81544	NL-4400B	15.7/400	6.9/176	5.8/148	5/126	15.4/390	3.78/96	2.8/70	165/75

Rated Max. Lifting Capacity and Max. Working Temperature:

P/N	Model	To lift Flat Plates				To lift round solid or tube items			Max Working Temperature (°F/°C)
		Rated Lift Value (lb/kg)	Breakoff Force (lb/kg)	Min Thickness to get the Rated Lift Value (in/mm)	Min Thickness for lift (in/mm)	Rated Lift Value (lb/kg)	Max Diameter (in/mm)	Min Thickness of round tube (in/mm)	
81503	NL-330B	330/150	>990/450	0.6"/15mm	0.125"/3mm	132/60	6"/150mm	0.25"/6mm	140°F/60°C
81506	NL-660B	660/300	>1980/900	1"/25mm	0.250"/6mm	264/120	8"/200mm	0.25"/6mm	140°F/60°C
81513	NL-1320B	1320/600	>3960/1800	1.2"/30mm	0.500"/13mm	528/240	10"/250mm	0.5"/13mm	140°F/60°C
81522	NL-2200B	2200/1000	>6600/3000	1.6"/40mm	0.800"/20mm	880/400	12"/300mm	0.8"/20mm	140°F/60°C
81544	NL-4400B	4400/2000	>13200/6000	2.2"/55mm	1.000"/25mm	Not good for round load			140°F/60°C

★ Specifications above would be changed for improvement without advise in advance.