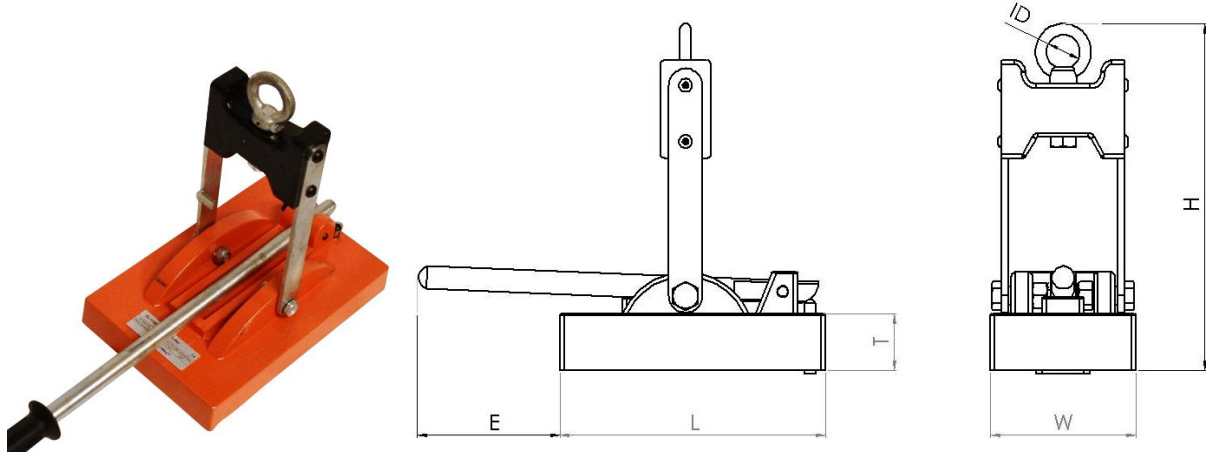


# PL-1100 Magnetic Plate Lifter Specifications



Part Number – 81302  
 Overall Width, W – 8"  
 Overall Height Length, L+E – 22.25"  
 Main Body Length, L -11.75"  
 Overall Height, H – 13.5"  
 Lifting Eye Internal Diameter, ID – 1.25"  
 Net Weight – 33.5 lb  
 Working Temperature – 0°F - 176°F  
 Max. Break Off – 2,750 lb tested at a ½" thick, clean ground mild steel plate.  
 Rated Lifting Capacity – 1,100 lb.  
 Rated Anti-sliding Capacity – 330 lb.  
 RoHS – In Compliance

## The Rated Lifting Capacity Derated by

Thickness of Flat Load					Air Gap			
> 0.5"	0.4"	0.3"	0.2"	0.1"	0	1/128"	1/64"	1/32"
1100 lb	900 lb	600 lb	300 lb	150 lb	100%	60%	30%	13%