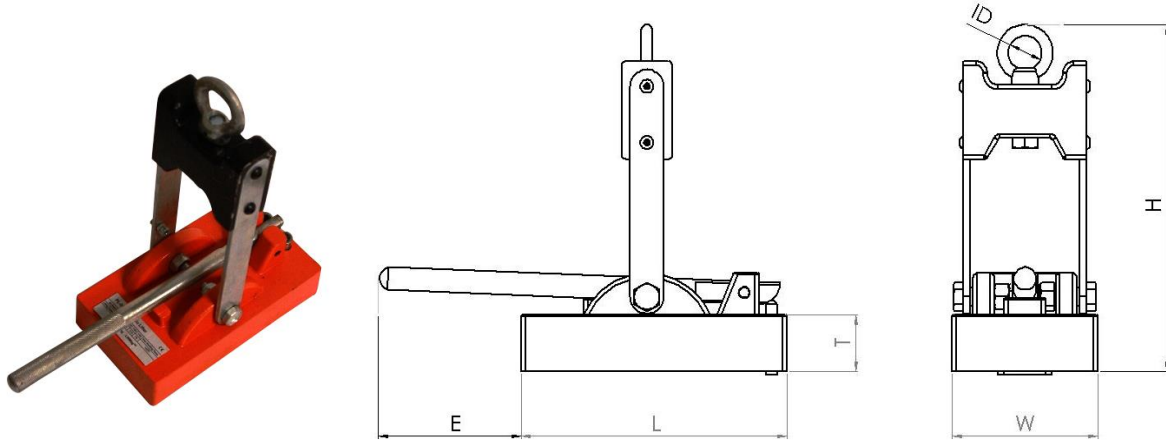


# PL-550 Magnetic Plate Lifter Specifications



Part Number – 81301  
 Overall Width, W – 4.275”  
 Overall Height Length, L+E – 11.5”  
 Main Body Length, L – 7.5”  
 Overall Height, H – 11.25”  
 Lifting Eye Internal Diameter, ID – 1”  
 Net Weight – 11.5 lb  
 Working Temperature – 0°F - 176°F  
 Max. Break Off – 1,375 lb tested at a ½” thick, clean ground mild steel plate.  
 Rated Lifting Capacity – 550 lb.  
 Rated Anti-sliding Capacity – 165 lb.  
 RoHS – In Compliance

## The Rated Lifting Capacity De-Rated by

Thickness of Flat Load					Air Gap			
> 0.5"	0.4"	0.3"	0.2"	0.1"	0	1/128"	1/64"	1/32"
550 lb	450 lb	300 lb	150 lb	75 lb	100%	60%	30%	13%